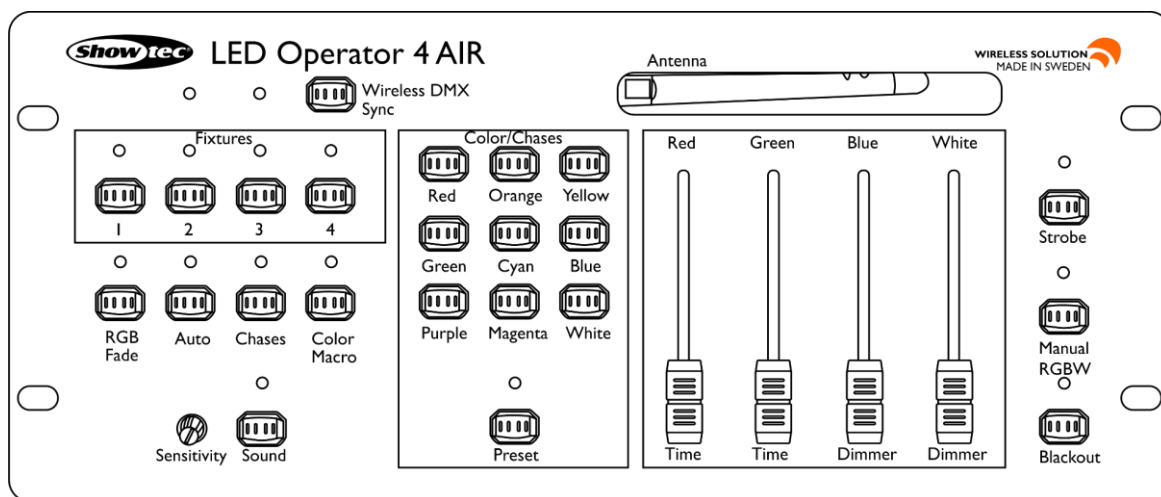




# MANUAL



ENGLISH

## LED Operator 4 Air

V2

Ordercode: 50726

**Table of contents**

---

**Warning** .....2  
  Unpacking Instructions.....2  
  Safety Instructions .....2  
  Operating Determinations .....4  
  Connection with the mains.....4  
  Return Procedure.....5  
  Claims.....5

**Description of the device**.....6  
  Features .....6  
  Overview .....6  
  Backside .....7

**Installation**.....7

**Set Up and Operation** .....7  
  Power On.....7  
  Fixture Linking.....8  
  Data Cabling.....8  
  Using wireless option.....8  
  Control Modes.....9  
    1. Preset colors.....9  
    2. RGB fade .....9  
    3. Auto mode.....9  
    4. Chase.....10  
    5. RGB Offset .....10  
    6. Color macros .....10  
    7. Sound-override.....10  
    8. White or amber .....11  
    9. Strobe-override .....11  
    10. Blackout.....11  
    11. Manual RGBW/RGBA.....11

**Maintenance** .....12

**Troubleshooting** .....12  
  No Light .....12  
  No Response to DMX.....12

**Product Specifications** .....13

**Dimensions**.....14

## Warning



**For your own safety, please read this user manual carefully  
before your initial start-up!**

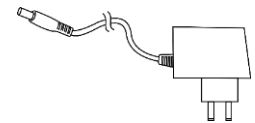
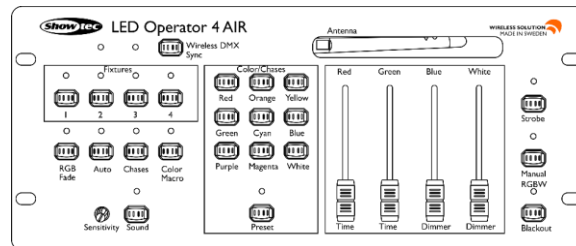


## Unpacking Instructions

Immediately upon receiving this product, carefully unpack the carton and check the contents to ensure that all parts are present, and have been received in good condition. Notify the dealer immediately and retain packing material for inspection if any parts appear damaged from shipping or the carton itself shows signs of mishandling. Save the carton and all packing materials. In the event that a fixture must be returned to the factory, it is important that the fixture be returned in the original factory box and packing.

### Your shipment includes:

- Showtec LED Operator 4 Air
- DC power adapter (1,75 m)
- User manual



### CAUTION!

**Keep this device away from rain and moisture!  
Unplug mains lead before opening the housing!**



## Safety Instructions

Every person involved with the installation, operation and maintenance of this device has to:

- be qualified
- follow the instructions of this manual



**CAUTION! Be careful with your operations.  
With a dangerous voltage you can suffer  
a dangerous electric shock when touching the wires!**



Before your initial start-up, please make sure that there is no damage caused by transportation. Should there be any, consult your dealer and do not use the device.

To maintain perfect condition and to ensure a safe operation, it is absolutely necessary for the user to follow the safety instructions and warning notes written in this manual.

Please consider that damages caused by manual modifications to the device are not subject to warranty.

This device contains no user-serviceable parts. Refer servicing to qualified technicians only.

### IMPORTANT:

The manufacturer will not accept liability for any resulting damages caused by the non-observance of this manual or any unauthorized modification to the device.

- Never let the power cord come into contact with other cables! Handle the power cord and all connections with the mains with particular caution!
- Never modify, bend, mechanically strain, put pressure on, pull or heat up the power cord.
- Never strain the cable insert or the female part in the device. There must always be sufficient cable going to the device. Otherwise, the cable will be damaged, which can cause serious damage.
- Never remove warning or informative labels from the unit.
- Never use anything to cover the ground contact.
- Never leave any cables lying around.
- Never use the device during thunderstorms, unplug the device immediately.
- Never leave various parts of the packaging (plastic bags, polystyrene foam, nails, etc.) within children's reach, as they are potential sources of danger.
- Do not insert objects into air vents.
- Do not open the device and do not modify the device.
- Do not connect this device to a dimmer pack.
- Do not switch the device on and off in short intervals, as this will reduce the device's life.
- Do not touch the device's housing bare-handed during its operation (housing becomes very hot). Allow the device to cool for at least 5 minutes before handling.
- Do not shake the device. Avoid brute force when installing or operating the device.
- Only use the device indoors, avoid contact with water or other liquids.
- Only operate the device after having checked if the housing is firmly closed and all screws are tightly fastened.
- Only operate the device after having familiarized with its functions.
- Avoid flames and do not put close to flammable liquids or gases.
- Always keep the case closed while operating.
- Always allow a free air space of at least 50 cm around the unit for ventilation.
- Always disconnect power from the mains, when device is not used or before cleaning! Only handle the power cord holding it by the plug. Never pull out the plug by tugging the power cord.
- Make sure that the device is not exposed to extreme heat, moisture or dust.
- Make sure that the available voltage is not higher than stated on the rear panel.
- Make sure that the power cord is never crimped or damaged. Check the device and the power cord from time to time.
- Make sure that the core diameter of extension cords and power cords is sufficient for the required power consumption of the device.
- Make sure you don't use the wrong kind of cables or defective cables.
- If the external cable is damaged, it has to be replaced by a qualified technician.
- If device was dropped or struck, disconnect mains power supply immediately. Have a qualified engineer inspect for safety before operating.
- If the device has been exposed to drastic temperature fluctuation (e.g. after transportation), do not switch it on immediately. The arising condensation water might damage your device. Leave the device switched off until it has reached room temperature.
- If your device fails to work properly, discontinue the use immediately. Pack the unit securely (preferably in the original packing material), and return it to your Showtec dealer for service.
- For adult use only. The device must be installed beyond the reach of children. Never leave the unit running unattended.
- Never attempt to bypass the thermostatic switch or fuses.
- For replacement use fuses of same type and rating only.
- The user is responsible for correct positioning and operating of the device. The manufacturer will not accept liability for damages caused by the misuse or incorrect installation of this device.
- This device falls under protection class I. Therefore it is essential to connect the yellow/green conductor to earth.
- Repairs, servicing and electric connection must be carried out by a qualified technician.
- WARRANTY: Till one year after date of purchase.

## Operating Determinations


- This device is not designed for permanent operation. Consistent operation breaks will ensure that the device will serve you for a long time without defects.
- The maximum ambient temperature  $t_a = 35^\circ\text{C}$  must never be exceeded.
- The relative humidity must not exceed 50 % with an ambient temperature of  $35^\circ\text{C}$ .
- If this device is operated in any other way, than the one described in this manual, the product may suffer damages and the warranty becomes void.
- Any other operation may lead to dangers like short-circuit, burns, electric shock, crash etc.

*You endanger your own safety and the safety of others!*

## Connection with the mains

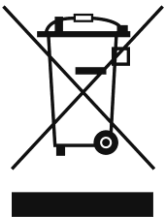
Connect the device to the mains with the power-plug.

Always pay attention, that the right color cable is connected to the right place.

International	EU Cable	UK Cable	US Cable	Pin
L	BROWN	RED	YELLOW/COPPER	PHASE
N	BLUE	BLACK	SILVER	NEUTRAL
	YELLOW/GREEN	GREEN	GREEN	PROTECTIVE GROUND

*Make sure that the device is always connected properly to the earth!*

*Improper installation can cause serious damage to people and property!*





### Return Procedure



Returned merchandise must be sent prepaid and in the original packing, call tags will not be issued. Package must be clearly labeled with a Return Authorization Number (RMA number). Products returned without an RMA number will be refused. Highlite will not accept the returned goods or any responsibility. Call Highlite 0031-455667723 or mail [aftersales@highlite.nl](mailto:aftersales@highlite.nl) and request an RMA prior to shipping the fixture. Be prepared to provide the model number, serial number and a brief description of the cause for the return. Be sure to properly pack fixture, any shipping damage resulting from inadequate packaging is the customer's responsibility. Highlite reserves the right to use its own discretion to repair or replace product(s). As a suggestion, proper UPS packing or double-boxing is always a safe method to use.

**Note: If you are given an RMA number, please include the following information on a piece of paper inside the box:**

- 01) Your name.
- 02) Your address.
- 03) Your phone number.
- 04) A brief description of the symptoms.

### Claims

The client has the obligation to check the delivered goods immediately upon delivery for any shortcomings and/or visible defects, or perform this check after our announcement that the goods are at their disposal. Damage incurred in shipping is the responsibility of the shipper; therefore the damage must be reported to the carrier upon receipt of merchandise.

It is the customer's responsibility to notify and submit claims with the shipper in the event that a fixture is damaged due to shipping. Transportation damage has to be reported to us within one day after receipt of the delivery.

Any return shipment has to be made post-paid at all times. Return shipments must be accompanied with a letter defining the reason for return shipment. Non-prepaid return shipments will be refused, unless otherwise agreed in writing.

Complaints against us must be made known in writing or by fax within 10 working days after receipt of the invoice. After this period complaints will not be handled anymore.

Complaints will only then be considered if the client has so far complied with all parts of the agreement, regardless of the agreement of which the obligation is resulting.

## Description of the device

### Features

The Showtec LED Operator 4 Air has the same functionality as the popular LED operator 4 but with built-in wireless DMX module and is battery operated. The LED Operator 4 AIR is easy to use and has preset RGBW colors and chases with adjustable fade, speed and strobe control or can be activated by sound.

- Battery operated (8 hours)
- Wireless DMX from Wireless solutions Sweden
- Preset RGB color and chases
- Control 4 x 4 channel fixtures
- This solution is ideal for all 4 channel battery operated spots or bars and gives you the freedom to run an entire system in- and outdoor without using a power or DMX cable.
- Easy to use with preset RGB colors and chases with adjustable fade, speed.
- Strobe control or can be activated by sound.
- Fixtures: 4
- Channels: 16 (4 each fixture)
- RGB Presets: 9
- Preset chases: 9
- Input voltage: 230V AC, 50Hz
- Power input: 8.2V DC, 500mA
- Battery: 7.4V, 2200mA
- Operation time: 8 hours (full battery)
- Connections: 3-pin DMX signal connector OUT
- Dimensions: 325 x 140 x 50 mm (LxWxH)
- Weight: 1,5 kg

**Note:** Knowledge of DMX is required to fully utilize this unit.

### Overview

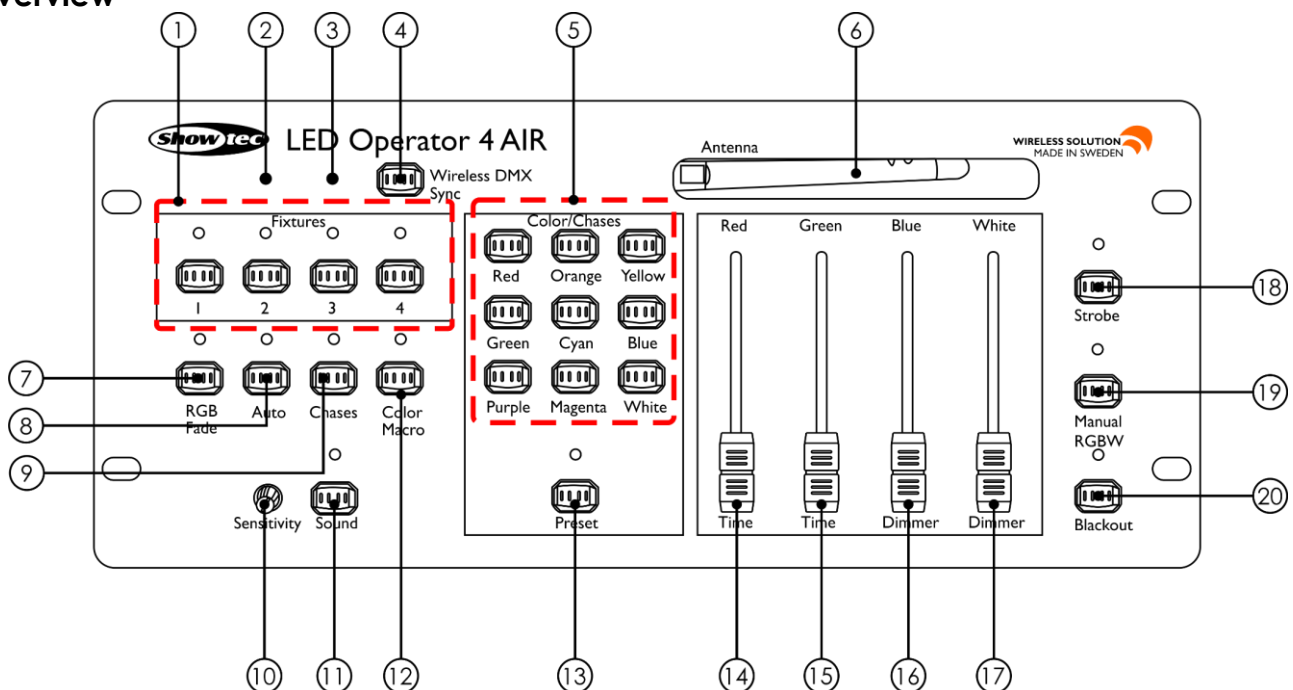


Fig. 01

- 01) Fixture buttons and LED indicators (1-4)
- 02) Battery Life LED indicator
- 03) Wireless Sync LED indicator
- 04) Wireless Sync button
- 05) Color Buttons (Red, Orange, Yellow, Green, Cyan, Blue, Purple, Magenta, White)
- 06) Antenna

- 07) RGB Fade button
- 08) Auto button
- 09) Chases button
- 10) Sound sensitivity control
- 11) Sound button
- 12) Color Macro button
- 13) Preset button
- 14) Red / Speed Time fader
- 15) Green / Fade Time fader
- 16) Blue / Master Dimer
- 17) White / White Dimmer
- 18) Strobe button
- 19) Manual RGBW button
- 20) Blackout button

Press the Blackout button to enable or disable relevant DMX output. When its LED is lit, that means the relevant DMX output is disabled. Press the button again and the LED indicator will be switched off. The DMX output is now reactivated.

### Backside

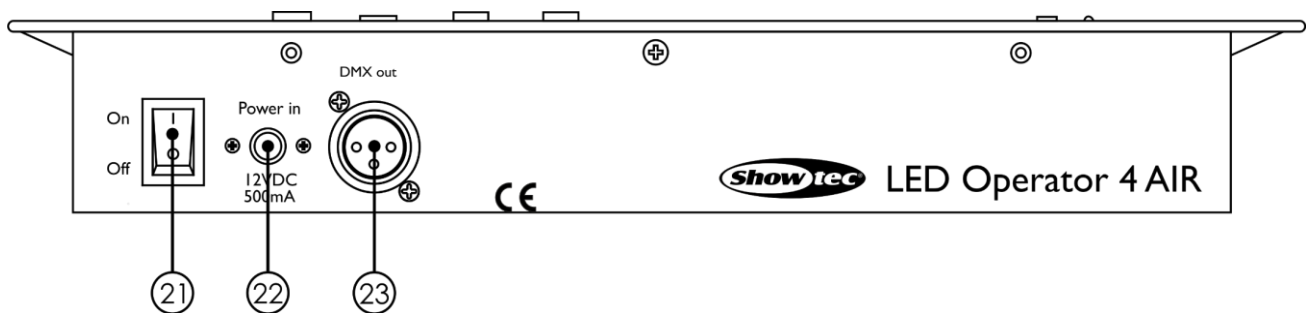


Fig. 02

- 21) Power switch ON/OFF
- 22) DC Input: Plug into an appropriate power supply via the transformer rated DC 12V, 500mA min
- 23) 3-pin DMX signal connector (OUT)

### Installation

Remove all packing materials from the LED Operator 4 Air. Check if all foam and plastic padding is removed. Screw the equipment into a 19" rack. Connect all cables.

**Always disconnect from electric mains power supply before cleaning or servicing.**

**Damages caused by non-observance are not subject to warranty.**

### Set Up and Operation

Follow the directions below, as they pertain to your preferred operation mode.

Before plugging the unit in, always make sure that the power supply matches the product specification voltage. Do not attempt to operate a 120V specification product on 230V power, or vice versa.

#### Power On

- 01) Press the power switch **(21)** to turn the LED Operator 4 Air on.
- 02) Press the power switch **(21)** again to turn the LED Operator 4 Air off.



## Fixture Linking

You will need a serial data link to run light shows of one or more fixtures using a DMX-512 controller or to run synchronized shows on two or more fixtures set to a master/slave operating mode. The combined number of channels required by all the fixtures on a serial data link determines the number of fixtures the data link can support.

**Important:** Fixtures on a serial data link must be daisy-chained in a single line. To comply with the EIA-485 standard, no more than 30 devices should be connected on one data link. Connecting more than 30 fixtures on one serial data link without the use of a DMX optically isolated splitter may result in deterioration of the digital DMX signal.  
Maximum recommended DMX data link distance: 100 meters  
Maximum recommended number of fixtures on a DMX data link: 30 fixtures



## Data Cabling

To link fixtures together, you must obtain data cables. You can purchase DAP Audio certified DMX cables directly from a dealer/distributor or construct your own cable. If you choose to create your own cable please use data-grade cables that can carry a high quality signal and are less prone to electromagnetic interference.

### DAP Audio DMX Data Cables

- DAP Audio Basic microphone cable for allround use. bal. XLR/M 3-pin > XLR/F 3-pin. **Ordercode** FL01150 (1,5 m), FL013 (3 m), FL016 (6 m), FL0110 (10 m), FL0115 (15 m), FL0120 (20 m).
- DAP Audio X-type data cable XLR/M 3-pin > XLR/F 3-pin. **Ordercode** FLX0175 (0,75 m), FLX01150 (1,5 m), FLX013 (3 m), FLX016 (6 m), FLX0110 (10 m).
- DAP Audio cable for the demanding user with exceptional audio-qualities and connector made by Neutrik®. **Ordercode** FL71150 (1,5 m), FL713 (3 m), FL716 (6 m), FL7110 (10 m).
- DAP Audio cable for the demanding user with exceptional audio-qualities and connector made by Neutrik®. **Ordercode** FL7275 (0,75 m), FL72150 (1,5 m), FL723 (3 m), FL726 (6 m), FL7210 (10 m).
- DAP Audio 110 Ohm cable with digital signal transmission. **Ordercode** FL0975 (0,75 m), FL09150 (1,5 m), FL093 (3 m), FL096 (6 m), FL0910 (10 m), FL0915 (15 m), FL0920 (20 m).
- DAP Audio data cable FL08 DMX/AES-EBU, XLR/M 5-pin > XLR/F 5-pin. **Ordercode** FL08150 (1,5 m), FL083 (3 m), FL086 (6 m), FL0810 (10 m), FL0820 (20 m).
- DAP Audio DMX adapter: 5-pin/3-pin. **Ordercode** FLA29.
- DAP Audio DMX adapter: 3-pin/5-pin. **Ordercode** FLA30.
- DAP Audio DMX Terminator 3-pin. **Ordercode** FLA42.
- DAP Audio DMX Terminator 5-pin. **Ordercode** FLA43.



### Wifi Sync



Receiving products should be 1~3 m (3~10 ft) away from the LED Operator 4 Air while syncing.

## Using wireless option

The LED Operator's integrated 2.4GHz module is a wireless transmitter with a range of up to 200 m (656 ft). To use the wireless option, press the Wireless Sync button **(4)** for 15 seconds or until the receiving product(s)' signal light blinks rapidly.



### Attention



Never connect a product that is operating in any stand-alone mode (either Static, Automatic, or Sound) to a DMX string connected to a DMX controller.

Products in stand-alone mode may transmit DMX signals that could interfere with the DMX signals from the controller.

The Strobe-override and Blackout modes will override all other modes and controls. Make sure that they are **not** selected, before trying to operate the device in any other mode.

The **White Dimmer (17)** will not be affected in any mode except in Color macro mode. It operates independently from the other operating modes.

Fixtures with amber LEDs will light up in amber when the **White Dimmer (17)** is active, regardless of the currently active mode. For example, even if you press the Cyan button in Chase mode, the amber LEDs will stay on during blackout. Make sure that you set the **White Dimmer (17)** to the off position, to avoid showing amber when blackout is desired.

### Control Modes

- There are 11 modes:
1. Preset colors
  2. RGB fade
  3. Auto mode
  4. Chase
  5. RGB Offset
  6. Color macros
  7. Sound-override
  8. White or amber
  9. Strobe-override
  10. Blackout
  11. Manual RGBW/RGBA

#### 1. Preset colors

The 9 Preset color buttons (**5**) (Red, Orange, Yellow, Green, Cyan, Blue, Purple, Magenta, White) can be used to assign a color to each addressed product.

- 01) Select one or more products by pressing the 4 Fixture buttons (**1**).
- 02) Press the Preset button (**13**), until the LED for the desired product(s) lights up.
- 03) Slide the Fade Time fader (**15**) to set the fade time.
- 04) Slide the Master Dimmer fader (**16**) to set the desired light intensity.
- 05) Select one of the 9 Preset color buttons (**5**).



Sound-Active mode **will not** function in Preset mode.



#### 2. RGB fade

This mode will fade all connected devices in unison, as the colors change.

- 01) Select one or more products by pressing the 4 Fixture buttons (1).
- 02) Press the RGB Fade button (**7**) until the LED for the desired fixture lights up.
- 03) Slide the Speed Time fader (**14**) to set the color change speed.
- 04) Slide the Fade Time fader (**15**) to set the transition time (fade time) between colors.
- 05) Slide the Master Dimmer fader (**16**) to set the desired light intensity.



Sound-Active mode **will** function in RGB fade.



#### 3. Auto mode

This mode uses built-in programs to make the fixtures randomly change colors. The color switch on all fixtures takes place independently.

- 01) Select one or more products by pressing the 4 Fixture buttons (**1**).
- 02) Press the Auto button (**8**) until the LED indicator lights up.
- 03) Slide the Speed Time fader (**14**) to set the program speed.
- 04) Slide the Master Dimmer fader (**16**) to set the desired light intensity.
- 05) Select one of the 9 Preset Color buttons (**5**).
- 06) Each fixture (1-4) will now use different random colors.



Sound-Active mode **will** function in Auto mode.



#### 4. Chase

These preset chases provide several color combinations. The LEDs will go on and off so that the lights appear to be moving along a string.

- 01) Select one or more products by pressing the 4 Fixture buttons (1).
- 02) Press the Chases button (9) until the LED indicator lights up.
- 03) Press the Preset Colors/Chases buttons to select a chase:

Color/Chase Button	Chase Function
Red	Red/Green
Orange	Green/Blue
Yellow	Red/Blue
Green	Red/Cyan
Cyan	Green/Magenta
Blue	Yellow/Blue
Purple	White/Blackout
Magenta	Color Cycle
White	Yellow/Magenta

- 01) Slide the Speed Time fader (14) to set the chase speed.
- 02) Slide the Fade Time fader (15) to set the transition time (fade time) between colors.
- 03) Slide the Master Dimmer fader (16) to set the desired light intensity.



Sound-Active mode **will** function in Chase mode.



#### 5. RGB Offset

RGB Offset is a built-in color-fading program that will create a serial chase through fixtures 1~4.

- 01) Press the RGB Fade button (7) and the Auto button (8) at the same time.
- 02) Slide the Speed Time fader (14) to set the chase speed.
- 03) Slide the Fade Time fader (15) to set the transition time (fade time) between colors.
- 04) Slide the Master Dimmer fader (16) to set the desired light intensity.



Sound-Active mode **will** function in RGB Offset mode.



#### 6. Color macros

The preset color macros have variable intensities.

- 01) Select one or more products by pressing the 4 Fixture buttons (1).
- 02) Press the Color macro button (12) until the LED indicator lights up
- 03) Slide the Speed Time fader (14) to select the desired color combination.
- 04) Slide the Fade Time fader (15) to set the transition time (fade time) between colors.
- 05) Slide the Master Dimmer fader (16) to set the desired light intensity.
- 06) Slide the White Dimmer fader (17) to set the desired intensity of the white/amber LEDs.

Color macros will apply the same color to each product.



Sound-override mode **will not** function while the Color macros are operating.



#### 7. Sound-override

This feature will work in RGB Fade, Auto, Chase and RGB Offset Mode. It creates a sound-activated show, using the selected auto mode. Sound-override can be triggered by using the microphone instead of the Speed Time fader (14) used for other multi-step modes:

- 01) Press the Sound button (10) until the LED indicator lights up.
- 02) Adjust the sound sensitivity by turning the Sound sensitivity control (11). To increase the sensitivity, turn to the right. To decrease the sensitivity, turn to the left.
- 03) The product will only respond to the music's low frequencies (bass and drums).



Sound-override mode **will not** function in Preset mode.



### 8. White or amber

This all-white or all-amber operation mode can create a stable wash or spot, depending on your lighting needs. The only functions that will affect these modes are Strobe override and Blackout.

- 01) Press the Manual RGBW button **(19)** until the LED indicator lights up.
- 02) Slide the White Dimmer fader **(17)** independently to get amber or use all faders to create white.

### 9. Strobe-override

This mode will produce flashes of light at regular intervals. These intervals are determined by moving the dimmer fader.

- 01) Select one or more products by pressing the 4 Fixture buttons **(1)**.  
**Note:** Strobe-override will only affect products which are selected.
- 02) Make sure that the color faders are at positions above 1% for the strobe to function.
- 03) Press the Strobe button **(18)** until the LED indicator lights up.
- 04) Slide the Speed Time fader **(14)** to set the speed of the strobe.
- 05) To cancel this mode for all fixtures at once, double-tap the Strobe button **(18)** until the LED indicator dims.
- 06) To cancel this mode for a single fixture, make sure the Strobe is activated and the Fade Time fader is set to minimum.
- 07) Press the Strobe button **(18)** until the LED indicator is off.



When in Strobe-override mode, the Led Operator's other operating modes **will not** function.



### 10. Blackout

When active, this mode darkens the output of all fixtures. The Blackout button **(20)** works in conjunction with the Fade Time fader **(15)** or as a stand-alone function.

To produce the fading blackout:

- 01) Select one or more products by pressing the 4 Fixture buttons **(1)**.
- 02) Slide the Fade Time fader **(15)** to select how quickly the lights will fade out.
- 03) Press the Blackout button **(20)** until the LED indicator lights up.
- 04) To cancel this mode for a single fixture, make sure that Blackout is active and that the Fade Time is set to 0.1s (the maximum value).
- 05) Press the Blackout button **(20)** until the LED indicator is off.

To produce the instant blackout:

- 01) Double-tap the Blackout button **(20)** to instantly blackout all fixtures.
- 02) When in Blackout Mode, the LED Operator's other operating modes will not function.
- 03) Fading Blackout **will not** work, when the controller is in Manual RGBW/RGBA mode.
- 04) Pressing the Blackout button **(20)** will cause all selected fixtures to blackout immediately.

### 11. Manual RGBW/RGBA

In this mode you can use a custom-made color combination, determined by the position of the Red, Green, Blue, and White faders.

- 01) Select one or more products by pressing the 4 Fixture buttons **(1)**.
- 02) Press the Manual RGBW button **(19)** until the LED indicator lights up.
- 03) Slide the Red, Green, Blue and White/amber faders to the desired level.
- 04) When Manual RGBW mode is active, pressing the Blackout button **(09)** will immediately blackout the fixtures.



Fading blackout operation **will not** function in Manual RGBW mode.  
Speed/Fade Time functions **will not** function in Manual RGBW mode.



### Maintenance

---

The operator has to make sure that safety-related and machine-technical installations are to be inspected by an expert after every year in the course of an acceptance test.

The operator has to make sure that safety-related and machine-technical installations are to be inspected by a skilled person once a year.

The following points have to be considered during the inspection:

- 01) All screws used for installing the device or parts of the device have to be tightly connected and must not be corroded.
- 02) There may not be any deformations on housings, fixations and installation spots.
- 03) Mechanically moving parts like axles, eyes and others may not show any traces of wearing.
- 04) The electric power supply cables must not show any damages or material fatigue.

The Showtec LED Operator 4 Air requires almost no maintenance. However, you should keep the unit clean.

Disconnect the mains power supply, and then wipe the cover with a damp cloth. Do not immerse in liquid. Do not use alcohol or solvents.

Keep connections clean. Disconnect electric power, and then wipe the DMX and audio connections with a damp cloth. Make sure that the connections are thoroughly dry before linking equipment or supplying electric power.

### Troubleshooting

---

This troubleshooting guide is meant to help solve simple problems.

If a problem occurs, carry out the steps below in sequence until a solution is found. Once the unit operates properly, do not carry out following steps.

#### No Light

If the LED Operator 4 Air does not operate properly, refer servicing to a technician.

Suspect three potential problem areas: the power supply, the LED Operator 4 Air, the LED effect.

- 01) Power supply. Check if the unit is plugged into an appropriate power supply.
- 02) The LED Operator 4 Air. Return the LED Operator 4 Air to your Showtec dealer.
- 03) A LED effect does not respond to the LED Operator 4 Air. Check the DMX address of the fixture and the controller. Make sure that they match. Make sure that the connections are correct.
- 04) If all appears to be O.K., plug the unit in again.
- 05) If nothing happens after 30 seconds, unplug the device.
- 06) If you are unable to determine the cause of the problem, do not open the LED Operator 4 Air, as this may damage the unit and the warranty will become void.
- 07) Return the device to your Showtec dealer.

#### No Response to DMX

Suspect the DMX cable or connectors, a controller malfunction, a light effect DMX card malfunction.

- 01) Check the DMX setting. Make sure that DMX addresses are correct.
- 02) Check the DMX cable: Unplug the unit; change the DMX cable; then reconnect to electrical power. Try your DMX control again.
- 03) Determine whether the controller or light effect is at fault. Does the controller operate properly with other DMX products? If not, take the controller in for repair. If so, take the DMX cable and the light effect to a qualified technician.

## Product Specifications

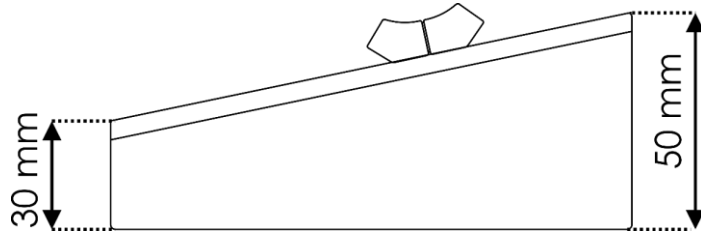
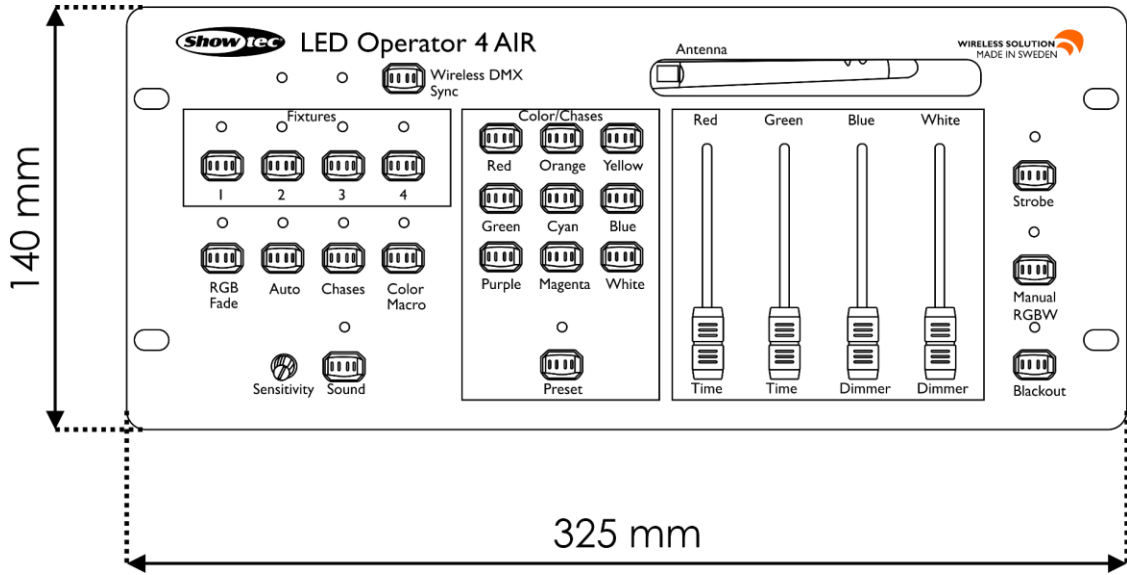
Model:	LED Operator 4 Air
Input voltage:	230V AC, 50Hz
Power input:	8.2V DC, 500mA
Battery:	7.4V, 2200mA
Dimensions:	325 x 140 x 50 mm (LxWxH)
Weight:	1,5 kg
<b>Operation and Programming</b>	
Signal pin OUT:	pin 1 earth, pin 2 (-), pin 3 (+)
DMX Channels:	16 (4 per fixture)
Signal output:	3-pin DMX signal connector OUT
Max. number of supported fixtures	4
<b>Electro-mechanical effects</b>	
RGB Presets:	9
Preset chases:	9
Control Modes:	Preset Colors RGB Fade Auto Chase RGB Offset Color Macros Sound override White or Amber Strobe override Blackout Manual RGBW/RGBA
Operation time:	8 hours (full battery)
Housing:	Grey Metal & Flame-retardant plastic
Connections:	Power adapter & 3-pin XLR (OUT)
Wireless DMX from Wireless solutions Sweden	
Max. ambient temperature $t_a$ :	35°C

Design and product specifications are subject to change without prior notice.



Website: [www.Showtec.info](http://www.Showtec.info)  
Email: [service@highlite.nl](mailto:service@highlite.nl)

Dimensions





©2018 Showtec